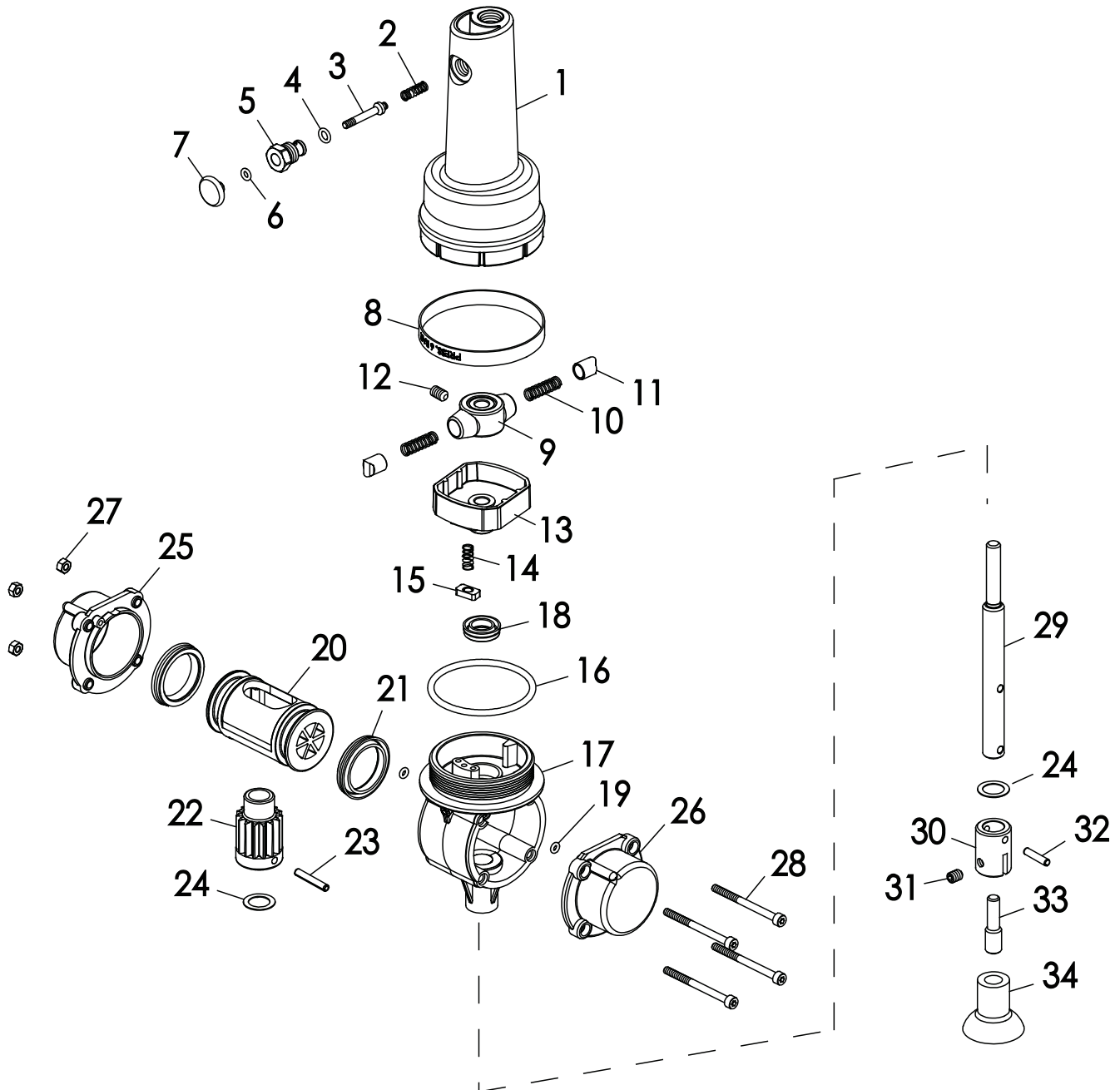


Technical Details	Blow/Min. BPM	Length mm/inch	Weight kg/lb	Air Consumption LPM / CFM	Air Inlet inch	Noise (DB) LpA LwA	Uncertainty(DB) KpA KwA	Vibration m/s ²	Working Pressure Bar / PSI
4735 I	800	289 (11.4)	0.65 (1.4)	50 (1.8)	1/4	---	---	---	6.2 (90)



Index No.	Description	Quantity	Index No.	Description	Quantity	Index No.	Description	Quantity
1	Housing	1	14	Spring	1	27	Hex. Nut	4
2	Spring	1	15	Slider	1	28	Screw	4
3	Valve Stem	1	16	O-Ring	1	29	Drive Shaft	1
4	O-Ring	1	17	Body	1	30	Chuck	1
5	Valve Pin Sleeve	1	18	Seal	1	31	Screw	1
6	O-Ring	1	19	O-Ring	2	32	Spring Pin	1
7	Trigger	1	20	Piston	1	33	Shaft	5
8	Guard Ring	1	21	Seal	2	34	Sucker-16mm	1
9	Rocker Arm	1	22	Pinion	1	34	Sucker-20mm	1
10	Spring	2	23	Spring Pin	1	34	Sucker-30mm	1
11	Sliding Sleeve	2	24	Washer	2	34	Sucker-35mm	1
12	Screw	1	25	Cylinder (Right)	1	34	Sucker-45mm	1
13	Rocker	1	26	Cylinder (Left)	1			

* Due to our continuous improvement, all specifications are subject to change without prior notice.